

MATERIALS AND FINISHES

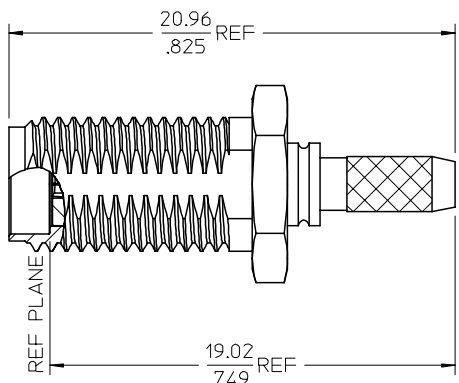
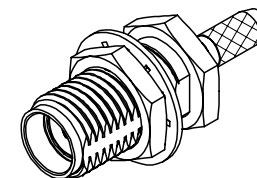
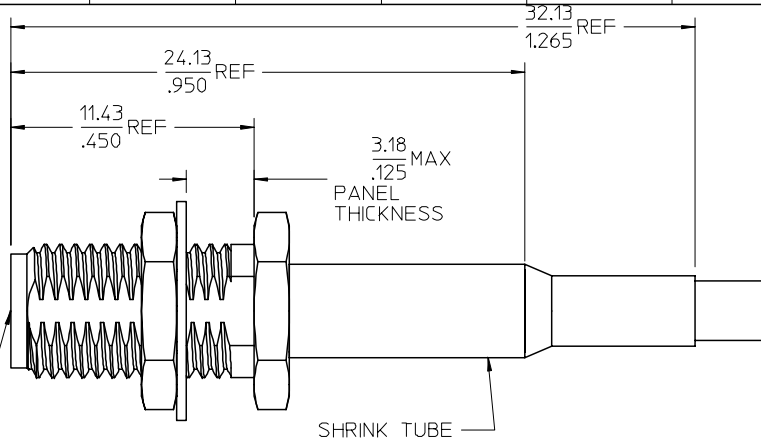
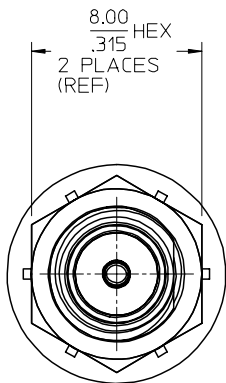
BODY, JAM NUT, CRIMP TUBE BRASS
PLATED PLATED GOLD

CENTER CONTACT BERYLLIUM COPPER
PLATED GOLD

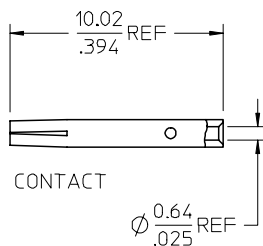
INSULATOR TEFLON

LOCKWASHER PHOSPHER BRONZE
PLATED GOLD

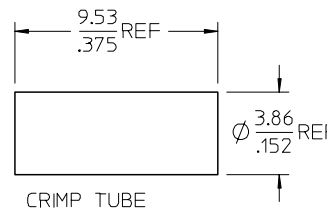
SHRINK TUBE BLACK



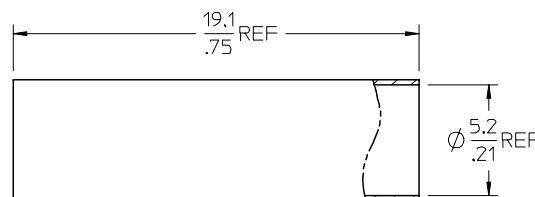
SMA JACK
INTERFACE



CONTACT



CRIMP TUBE



SHRINK TUBE

RECOMMENDED
MOUNTING HOLE

ES-89675-2100	ELECTRO/MECH PERFORM.
ES-89675-1640	ASSEMBLY INSTRUCT.
MIL-STD-348A, FIG. 310.2	INTERFACE
SPECIFICATION	DESCRIPTION

73251-0933	P/N 73251-0930, BY TRAY (20CAV.)
73251-0932	P/N 73251-0930, ONE PER BAG
73251-0931	WITHOUT SHRINK TUBE
73251-0930	WITH SHRINK TUBE
PART NO.	PACKAGING

CHG: ADDED -0933	QUALITY SYMBOLS
EC NO: URF2007-0406	▽=0
DRAWN BY: DRWANELIN	▽=0
CHKD: 2007/05/24	
APPR: MLIJANG	
REV: B2	

GENERAL TOLERANCES (UNLESS SPECIFIED)	
4 PLACES ±	±
3 PLACES ±	±
2 PLACES ±	±
1 PLACE ±	±
ANGULAR ± 2 °	
DRAFT WHERE APPLICABLE MUST REMAIN WITHIN DIMENSIONS	

DIMENSION STYLE	
MM/IN	
DRAWN BY	DATE
TEF	2002/04/03
CHECKED BY	DATE
SSS	2002/04/03
APPROVED BY	DATE
GMH	2002/04/03
MATERIAL NO.	
SEE TABLE	

SCALE	DESIGN UNITS	THIRD ANGLE PROJECTION
	METRIC	☉
SMA JACK, BLKHD, RG316 50 OHMS, EWR-1691 SMA-JC		
molex MOLEX INCORPORATED		
DOCUMENT NO.	SHEET NO.	
SD-73251-093	1 OF 1	
THIS DRAWING CONTAINS INFORMATION THAT IS PROPRIETARY TO MOLEX INCORPORATED AND SHOULD NOT BE USED WITHOUT WRITTEN PERMISSION		